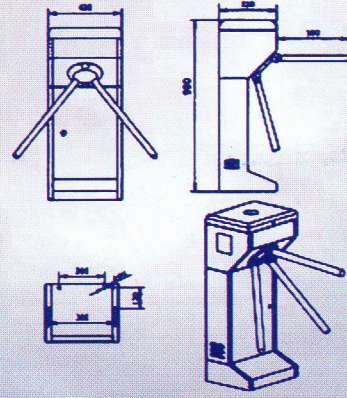
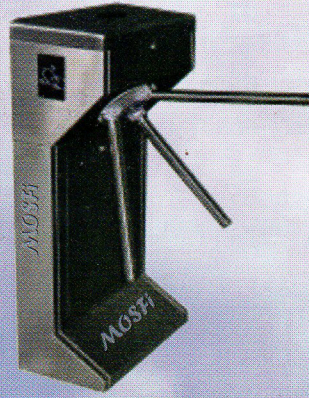
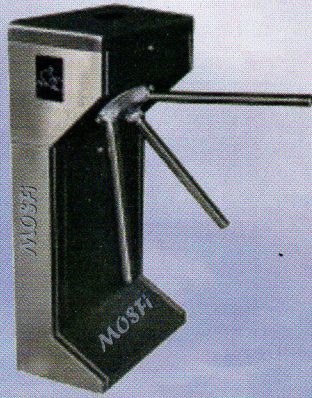
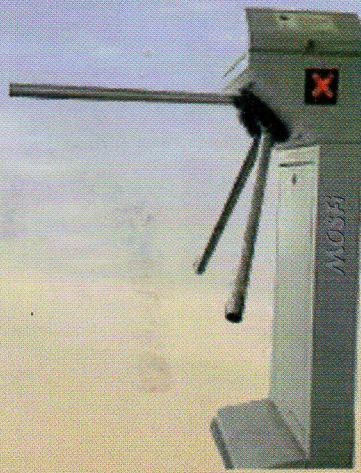
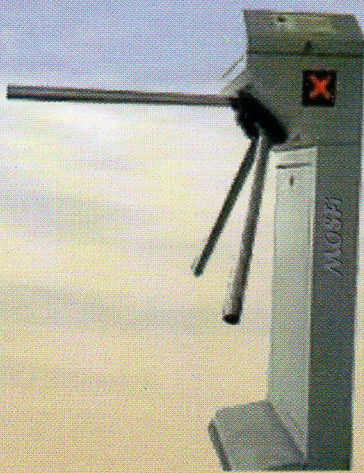


MOSFi TT-310 (M.S BIDIRECTIONAL TRIPOD TURNSTILE)



MOSFi TT-311 (S.S BIDIRECTIONAL TRIPOD TURNSTILE)



SPECIFICATIONS	MOSFi TT-310 / TT-311
PASSAGE WIDTH	500 mm
MATERIAL	Mild steel Body with powder coated paint Gray/ Stainless Steel 304 (with Brushed Polish)
PASSAGE	30 person/min
Operation through	Switches/all access control system/manual
Arm length	460 mm
CONTROLLER	Microprocessor based
MOTHER BOARD	FR-410 SERIES
POWER SUPPLY UNIT	24.0 Volts/5 amp 220 AC
ARM MATERIAL	Stainless steel 304
Manual release	by manual key
Indicator lights	✓
Temperature	-10 to +55 deg Celsius

India's No 1 Manufacturer of Entrance Automation Product
100 % Make in India Product